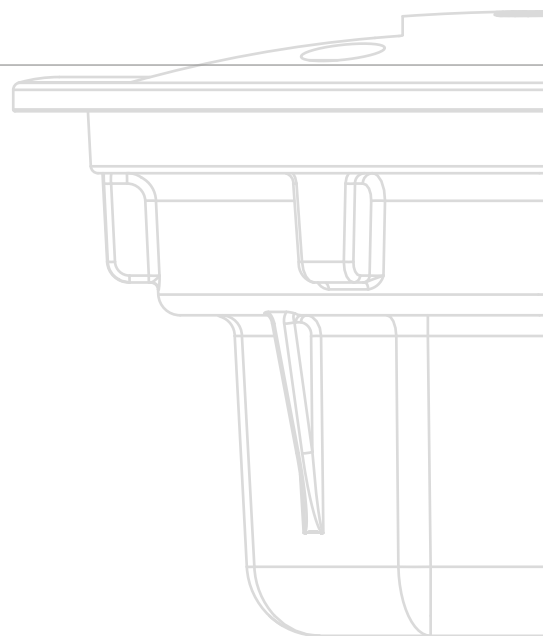


HARDWIRED ROAD STUD
YOUR SAFETY EYES



SR-30

HARDWIRED ROAD STUD

KEY FEATURES

- Hardwired system for solar powered or electrical
- Current drivers to extend LEDs life time
- High brightness LEDs with chromatic calibration and multiple colors
- Possibility to connect N elements
- Variable lengths of cables
- LEDs protects by polycarbonate window
- Operation Mode: Always on, Flashing, Sequential

SPECIFICATIONS:

ELECTRICAL

Power Supply: 12Vdc (Amber and Red) or 24Vdc (all colors)

Current Consumption: 40mA (uni-directional) or 80mA (bi-directional)

OPTICAL

LEDs Number: 8 LEDs (uni-directional), 16 LEDs (bi-directional) - 5mm

LEDs Colour: Amber, Red, White, Blue, Green

LEDs Configuration: Uni-directional or Bi-directional

MECHANICAL

Dimensions: Ø144.5mm x 85.7mm

Weight: 1.2kg

Projection: 13.7mm

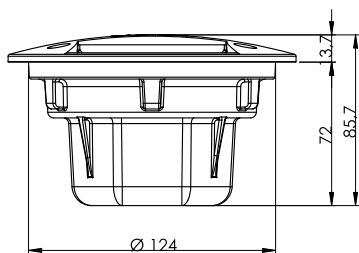
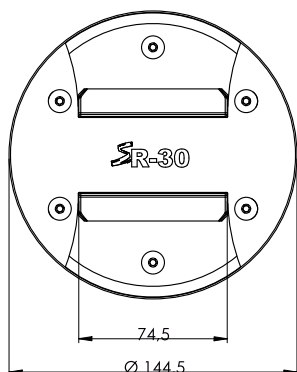
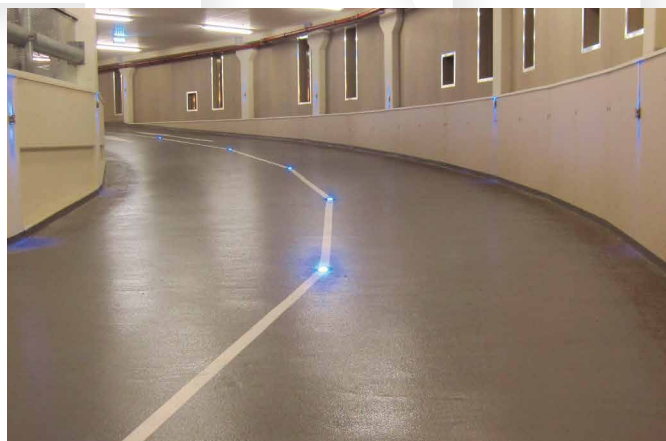
Minimum Installation Depth: 80mm

Bottom Part Material: Aluminium

Top Material: Aluminium, Polycarbonate

Mechanical Resistance: 10 Tons

Protection Index: IP68 and IK10



Dimensions: mm



Quinta do Carreiro, Lote 9/14 - Frossos
4700-154 Braga - Portugal
TEL.: +351 253 300 440 | FAX: +351 253 300 449
E-MAIL: sernis@sernis.com | SITE: www.sernis.com